

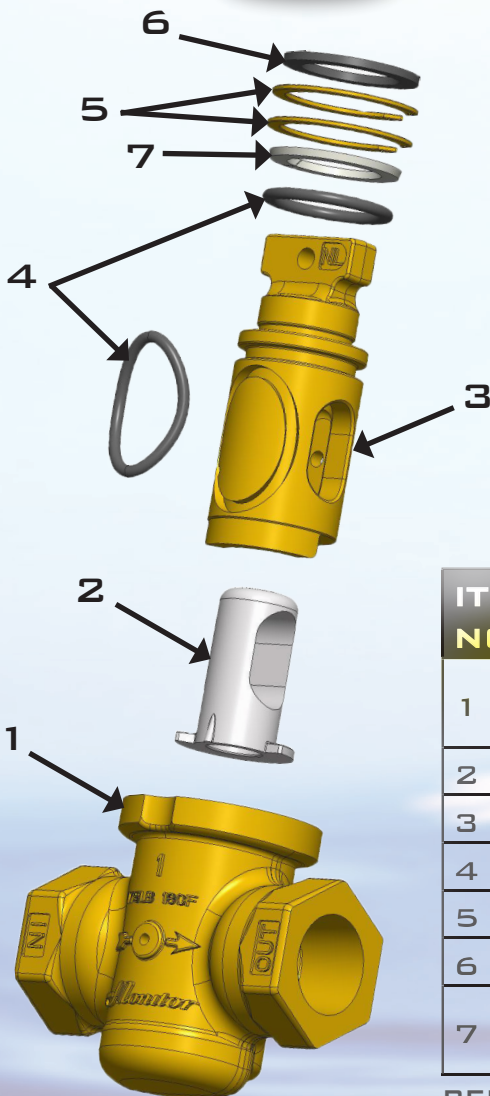
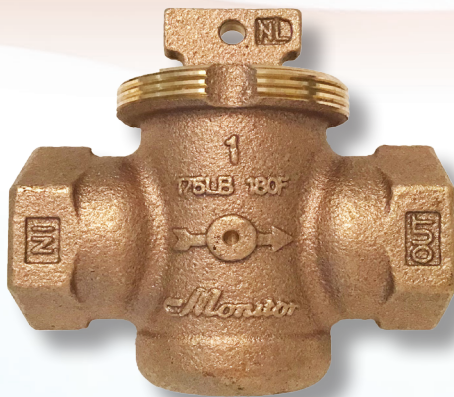
BAKER[®]
WATER SYSTEMS DIVISION

Campbell[®] Monitor[®] MONOFLEX[®]

NEW

NSF 61 CERTIFIED

CURB VALVES



- SIZES 3/4", 1", 1 1/4", 1 1/2", AND 2"
- F.I.P. THREADED CONNECTIONS
- CONSTRUCTED OF LEAD FREE RED BRASS C89844
- 100% PRESSURE TESTED TO 175 PSIG IN BOTH OPEN/CLOSED POSITIONS
- DRAIN OPTION AVAILABLE
- MINNEAPOLIS STYLE THREADED TOP
- HEAVY DUTY CONSTRUCTION TO RESIST GROUND AND PIPE STRESS
- PRECISELY MACHINED SURFACES WITH A CHAMFERED EDGE PROVIDE A POSITIVE SEAL WHICH ALLOWS THE VALVE TO OPEN/CLOSE WITH MINIMAL FORCE
- THE ONE PIECE CLOSED BODY KEEPS CONTAMINATION FROM DIRT AND GROUND WATER TO A MINIMUM AND DIMINISHES POSSIBLE LEAKAGE POINTS

ITEM NO.	PART NO.	DESCRIPTION	QTY
1	1 CVDLFM	1" CURB VALVE BODY, CASTED & MACHINED, WITH DRAIN	1
2	1 CVINSERT	1" CURB VALVE INSERT	1
3	1 CVLKFKEY	1" CURB VALVE KEY, MACHINED	1
4	1 CVORING	1" CURB VALVE O-RING	2
5	1 CVRR	1" CURB VALVE RETAINING RING	2
6	1 CVTS	1" CURB VALVE TOP SEAL	1
7	1 CVTW	1" CURB VALVE THRUST WASHER	1

REPAIR PARTS ARE FOR INFORMATIONAL PURPOSE ONLY AND ARE NOT OFFERED TO PURCHASE